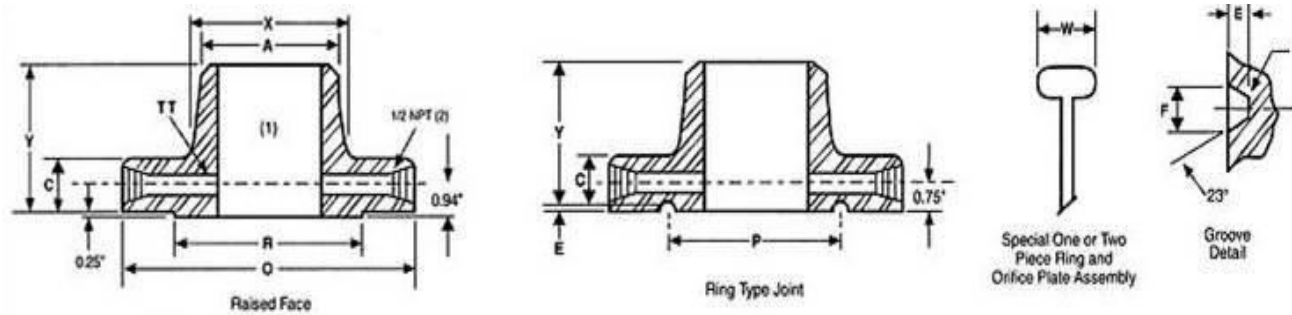


ANSI/ASME B16.36 CLASS 400 WELDNECK ORIFICE FLANGES



Nominal Pipe Size	O.D. Flange	Thk. Of Flange Min	Diameter of Raised Face	Diam. Of Hub	Hub Diam. Chamfer of W.N.	Length Hub	Drilling					Ring Type Joint					
							Diam. of Pressure Connection	Diam. of Bolt Circle	Diam. of Bolt Holes	Number of Bolts	Diam. of Bolt	Grove #	Pitch Dia	Groove Depth	Groove Width	Radius at Bottom	Spec Oval RH
NPS	O	C	R	X	A	Y	TT						P	E	F	r max	W
in 4	10	1.5	6.19	5.75	4.5	3.5	1/2	7.88	1	8	7/8	R37	5.875	0.312	0.469	0.03	1.06
mm 100	254	38.1	157	146	114.3	88.9	12.7	200.2	25.4		22.2		149.225	7.925	11.913	0.8	26.9
in 6	12.5	1.62	8.5	8.12	6.63	4.06	1/2	10.62	1	12	7/8	R45	8.312	0.312	0.469	0.03	1.06
mm 150	317.5	41.1	216	206	168.4	103	12.7	269.7	25.4		22.2		211.125	7.925	11.913	0.8	26.9
in 8	15	1.88	10.62	10.25	8.63	4.62	1/2	13	1.12	12	1	R49	10.625	0.312	0.469	0.03	1.06
mm 200	381	47.8	270	260	219.2	117	12.7	330.2	28.4		25.4		269.875	7.925	11.913	0.8	26.9
in 10	17.5	2.12	12.75	12.62	10.75	4.88	1/2	15.25	1.25	16	1 1/8	R53	12.75	0.312	0.469	0.03	1.06
mm 250	444.5	53.8	324	321	273.1	124	12.7	387.4	31.8		28.6		323.85	7.925	11.913	0.8	26.9
in 12	20.5	2.25	15	14.75	12.75	5.38	1/2	17.75	1.38	16	1 1/4	R57	15	0.312	0.469	0.03	1.06
mm 300	520.7	57.2	381	375	323.9	137	12.7	450.9	35.1		31.8		381	7.925	11.913	0.8	26.9
in 14	23	2.39	16.25	16.75	14	5.88	1/2	20.25	1.38	20	1 1/4	R61	16.5	0.312	0.469	0.03	1.06
mm 350	584.2	60.7	413	426	355.6	149	12.7	514.4	35.1		31.8		419.1	7.925	11.913	0.8	26.9
in 16	25.5	2.5	18.5	19	16	6	1/2	22.5	1.5	20	1 3/8	R65	18.5	0.312	0.469	0.03	1.19
mm 400	647.7	63.5	470	483	406.4	152	12.7	571.5	38.1		34.9		469.9	7.925	11.913	0.8	30.2
in 18	28	2.62	21	21	18	6.5	1/2	24.75	1.5	24	1 3/8	R69	21	0.312	0.469	0.03	1.19
mm 450	711.2	66.5	533	533	457.2	165	12.7	628.7	38.1		34.9		533.4	7.925	11.913	0.8	30.2
in 20	30.5	2.75	23	23.12	20	6.62	1/2	27	1.62	24	1 1/2	R73	23	0.375	0.531	0.06	1.25
mm 500	774.7	69.9	584	587	508	168	12.7	685.8	41.1		38 1/9		584.2	9.525	13.487	1.5	31.8
in 24	36	3	27.25	27.62	24	6.88	1/2	32	1.89	24	1 3/4						
mm 600	914.4	76.2	692.2	702	609.6	174.8	12.7	812.8	48		44 1/2						